



Key Features

- Mounting: Bracket or Pole
- Power Supply: External or Built-in
- DALI, RDM wireless control, 0-10V dimming
- Cold-forged 1050 aluminum housing with polyester powder-coated finish for excellent heat dissipation & corrosion resistance
- Optional laser aiming device enables precise positioning & optimal angle adjustment
- Independent circuit design allows each module to operate separately
- High-quality optical materials with multiple beam angles provide optimal illumination & visual comfort

Lifespan

- 50,000 hours L70B50 at 95°F

Description

- J1 Series LED sports lights deliver over 93% efficiency & up to 80% energy savings
- Durable cold-forged aluminum housing designed to withstand harsh, high-vibration outdoor conditions

Optics

- Lumens Output: 45,900Lm-93,000Lm
- Beam Angle: 15°/20°/30°/45°/60°
- Dimming: 0-10V
- Led Type: 5050
- Intelligent Control: DMX512/RDM/DALI

Mechanical

- Lens Material: Anti-UV PC Optical Material
- Protection: IP66/IK09

Electrical

- Input Voltage: AC120-277V & 277-480V
- Input Frequency: 50/60Hz
- THD: <15%
- Power Factor: 0.95
- Rated Power: 300/400/500/600W
- Power Supply: Inventronics/Sosen
- Surge Protection: 10kV (Standard), 20kV (Optional)
- Temperature: -40°F to 122°F

Applications

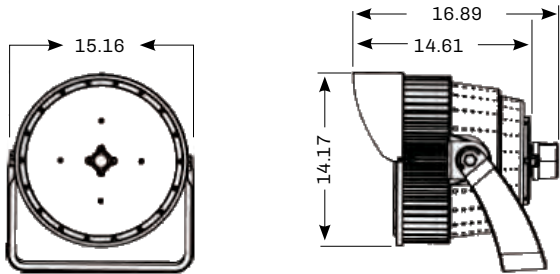
- Stadiums
- Paper Mills
- Container Loading Areas
- Shipping Yards
- Airports
- Sporting Facilities
- Industrial Lighting
- Parking Lots
- Railways
- Ports
- Public Squares

SPECIFICATIONS

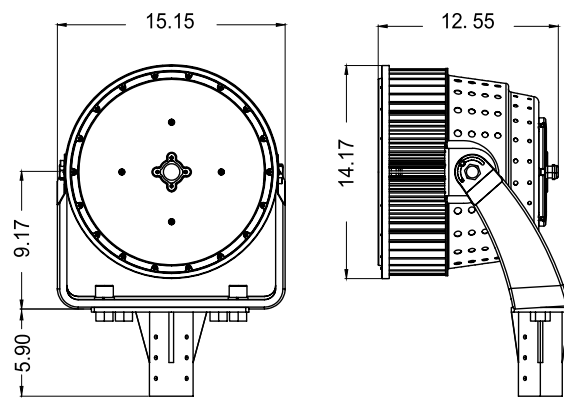
Model #	Wattage	Lumens Per Watt	Voltage	CRI	Beam Angle
ML-SP-J1-500W-50D-30N-120V-5K	500W	160Lm/W	120-277V	Ra70	30°
ML-SP-J1-500W-50D-30N-480V-5K	500W	155Lm/W	277-480V		
ML-SP-J1-600W-50D-30N-120V-5K	600W	160Lm/W	120-277V		
ML-SP-J1-600W-50D-30N-480V-5K	600W	155Lm/W	277-480V		

DIMENSIONS

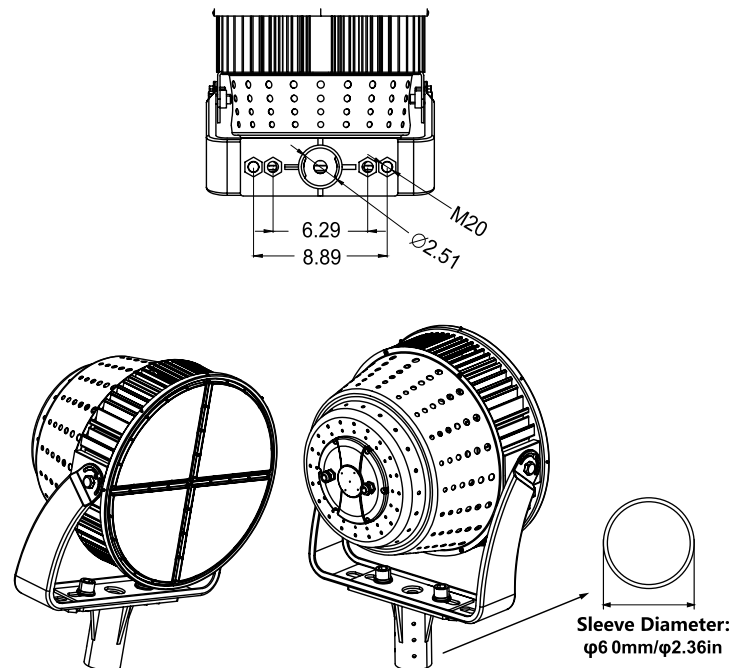
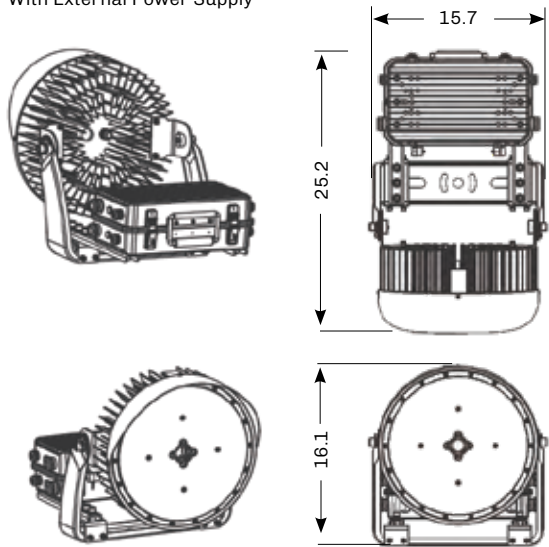
With Built-In Power Supply



With Sleeve Bracket (without Visor)

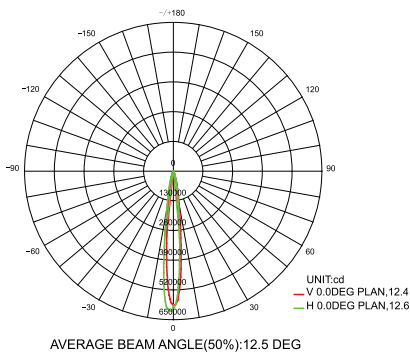


With External Power Supply

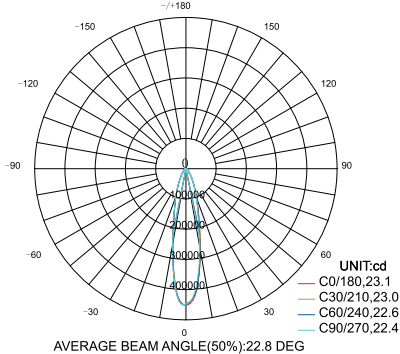


PHOTOMETRICS

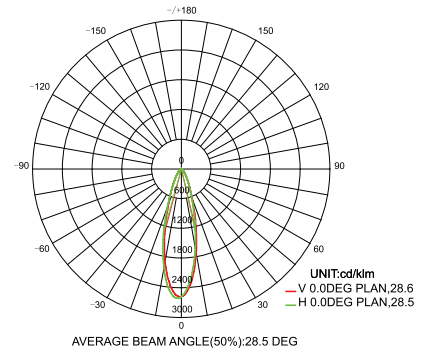
J1 15 degrees



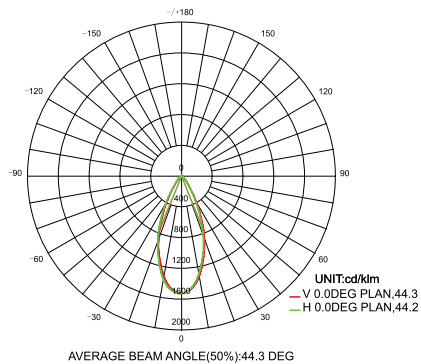
J1 20 degrees



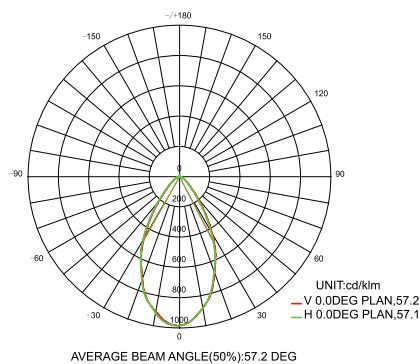
J1 30 degrees



J1 45 degrees



J1 60 degrees



PACKING SPECIFICATIONS

Model #	Net Weight Product	Qty./Carton	Gross Weight	Package Dimensions (LxWxH)
J1 (with built-in driver)	36.07lbs	1	40.03lbs	20.27"x16.34"x15.75"
J1 (with external driver)	24.16lbs		28.61lbs	21.06"x16.34"x12.99"
External Power Supply	14.55lbs		17.19lbs	21.06"x12.79"x8.27"