



MetroLED

LIGHT • SIGN • SOLAR

METROLED.COM | 888.533.7860

INDOOR:

LED 4' Tube Type A+B.....4

LED 4' T8 Tube Light 22W5

LED 8' Single Pin T8 Tube Light6

LED Cooler Light.....7

LED Integrated Tube - T8 Series - CCT & Wattage Selectable.....8

LED Integrated Tube.....9

LED Linear Strip10

LED Vapor Tight Fixture - CCT & Wattage Selectable11

LED Flat Panel - CCT & Wattage Selectable - GEN S12

LED Panel - CCT & Wattage Selectable - GEN K.....13

LED Troffer Panel - CCT & Wattage Selectable14

LED UFO High Bay.....15

LED UFO High Bay - CCT & Wattage Selectable16

LED Linear High Bay.....17

LED Linear High Bay Wattage Selectable18

OUTDOOR:

LED Parking Garage Canopy - CCT & Wattage Selectable.....21

LED Square Canopy22

LED Big Lens Canopy.....23

LED Flood Light - 15W/30W/50W.....24

LED Flood Light 19th Gen - CCT & Wattage Selectable25

LED Flood Light 6th Gen - 300W26

LED Gen 14th Shoebox Light.....27

LED Gen 19th Shoebox Light.....28

LED Gen 18th Shoebox Light - CCT & Wattage Selectable.....29

Light Pole.....30

Pole Accessories31

LED Wall Pack - CCT Selectable32

LED Wall Pack - CCT & Wattage Selectable33

LED Rotatable Wall Pack.....34

LED Mini Wall Pack - CCT Selectable35

LED Half Corn Bulb36

LED Corn Bulb - Wattage Selectable37

LED Electronic Message Sign39

LED 4FT T8 TUBE TYPE A+B

CCT & WATTAGE SELECTABLE

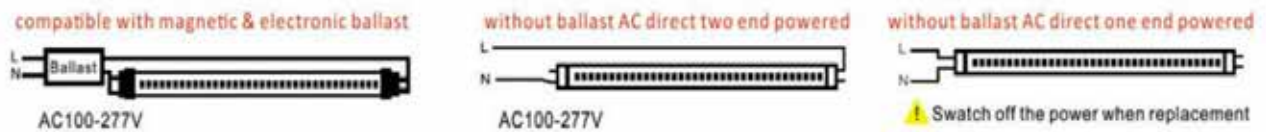


Offering significant energy-efficiency and lifetime improvements over fluorescent lamps, our high quality LED T8 lamps replace conventional fluorescent lamps. With CCT and Wattage adjustable options and Type A+B, this tube is one of the most efficient and durable tubes on the market.

FEATURES

- Energy-efficiency
- Long lifespan
- Lifespan 50K hours
- Ballast Compatible (Plug & Play)
- Works with or without ballast
- Single & double ended connection
- Tube Housing: Plastic & Aluminum
- PC Lens: Clear or Frosted
- Illumination Angle: 180°
- LED Driver: Internal
- Dimming: Non-dimmable
- End Caps: G13 bi-pins

WIRING DIAGRAM



SPECIFICATIONS

Model Number	Length	Wattage	CCT	Lumens	CRI	Lens	IP
ML-T8-20P4FT-AB-FMM	4'	Selectable 8W/12W/15W/18W/20W	Selectable 3K/35K/4K/5K/65K	120lm/W	>80	Frosted	IP20
ML-T8-20P4FT-AB-CMM	4'			120lm/W	>80	Clear	IP20

LED 4FT T8 TUBE LIGHT

22W

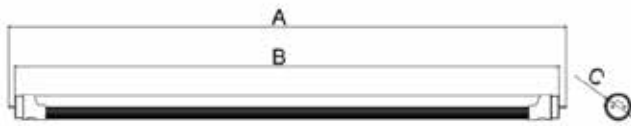


Offering significant energy-efficiency and lifetime improvements over fluorescent lamps, our High Quality LED T8 lamps replace conventional fluorescent lamps in existing luminaires.

FEATURES

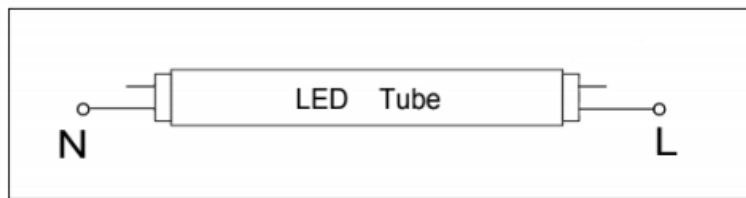
- Luminous Flux: >120Lm/W
- Suitable to use in UL approved enclosed fixtures
- Available for double ended power

Input voltage:	AC100-277V	THD:	<20%
Operating frequency:	50/60Hz	IP Rating:	IP20
Power factor:	≥ 0.90	CRI:	>80Ra
Ambient temperature range:	-4°F to 104°F	Beam angle:	120°



Maximum Overall	A	B	C
4FT	47.8"	47.2"	1.1"

CONNECTION GUIDE



SPECIFICATIONS

Model Number	Length	Wattage	CRI	Lumens	CCT	IP	Input Voltage	Lens
ML-T8-22WN4T	4'	22W	>80	2640Lm	5000K	IP20	100-277V	Clear



MetroLED
LIGHT·SIGN·SOLAR

INDOOR: LED 4FT T8 TUBE LIGHT - 22W

LED 8FT SINGLE PIN T8 TUBE LIGHT

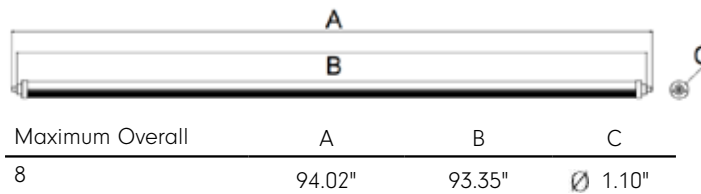


Our T8 8' tube offers significant energy-efficiency and lifetime improvements over fluorescent lamps. T8 8' lamps are installed by bypassing existing fluorescent ballasts, and hard-wiring tombstone lamp holders directly to incoming AC power leads. Dual-ended bypass lamps eliminate the need to replace shunted tombstone lamp-holders in existing fluorescent luminaries.

FEATURES

- Luminous Flux: >120Lm/W
- Suitable for damp location
- Suitable to use in UL approved enclosed fixtures
- Available for double ended power

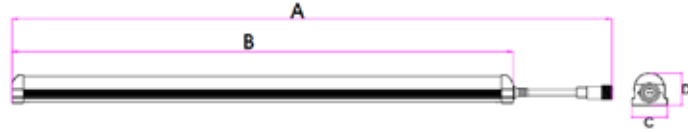
Input voltage:	AC100-277V	THD:	<20%
Operating frequency:	50/60Hz	IP Rating:	IP20
Power factor:	≥ 0.90	CRI:	>80Ra
Ambient temperature range:	-4°F to 104°F	Beam angle:	120°
Base:	FA8		



SPECIFICATIONS

Model Number	Length	Wattage	CRI	Lumens	CCT	Lens	Input Voltage
ML-T8-8-45W-F-5K	8'	45W	>80	5400Lm	5000K	Frosted	100-277V
ML-T8-8-45W-C-65K					6500K	Clear	100-277V

LED COOLER LIGHT



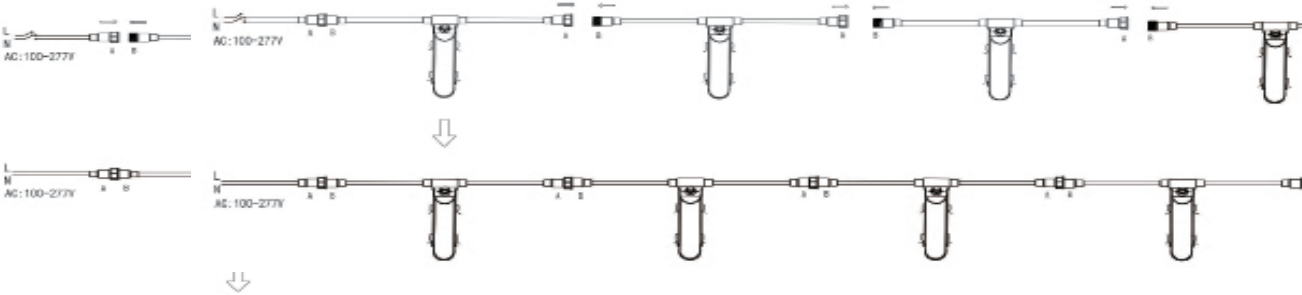
Maximum Overall	A	B	C	D
4'	50.87"	46.93"	1.26"	1.14"
5'	62.68"	58.74"	1.26"	1.14"
6'	74.49"	70.55"	1.26v	1.14"

FEATURES

- Luminous Flux: >120Lm/W
- Suitable to use in UL approved enclosed fixtures
- Damp locations

Power:	≥ 0.90	Input voltage:	AC100-277V
THD:	<20%	Operating frequency:	50/60Hz
IP Rating:	IP20	Ambient temprange:	-4°F to 104°F
CRI:	>80Ra	Beam angle:	170°

INSTALLATION GUIDE



SPECIFICATIONS

Model Number	Length	Wattage	CRI	Lumens	CCT	Input Voltage
ML-CL-4FT-18WT-5K	4'	18W	>80	2160Lm	5000K	100-277V
ML-CL-5FT-32WT-5K	5'	32W		3840Lm	6500K	
ML-CL-5FT-32WT-65K					5000K	
ML-CL-6FT-40WT-5K	6'	40W		4800Lm	6500K	
ML-CL-6FT-40WT-65K					5000K	



LED INTEGRATED TUBE - T8 SERIES

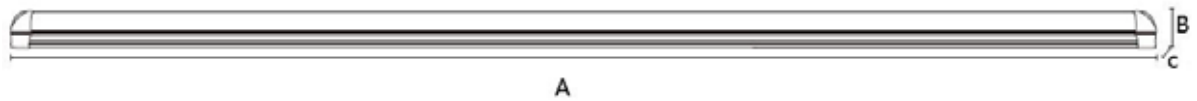
CCT & Wattage Selectable



Metro LED's LED Integrated Fixtures perform efficiently in conditions where low voltage, halogen, or fluorescent luminaries have traditionally been used. Our LED tubes incorporate integral drivers, are self-supporting, and can be surface mounted. Individual units can be plugged together for continuous lengths up to 32'. Our fixtures connect directly to line voltage and can be used in any interior space.

FEATURES

- 6 WATT & 6 CCT Switch in one tube
- Alu-PC T8 tube with good heat dissipation
- Lower the stock risk
- Easy for installation
- Environmentally friendly without mercury



Maximum Overall	A	B	C
4'	47.44"	1.38"	1.38"
8'	93.50"	1.30"	1.30"

SPECIFICATIONS

Model Number	Length	Wattage	CCT	Lumens	Lens	Input Voltage
ML-T8-30P4FT-INT2-CM	4'	Selectable 18W/20W/22W/ 25W/28W/30W	Selectable 3K/35K/4K/5K/6K/65K	135Lm/W	Clear	100-277V
ML-T8-30P4FT-INT2-FM					Frosted	
ML-T8-60P8FT-INT2-CM	8'	Selectable 40W/45W/48W/ 52W/56W/60W			Clear	
ML-T8-60P8FT-INT2-FM					Frosted	

LED INTEGRATED TUBE

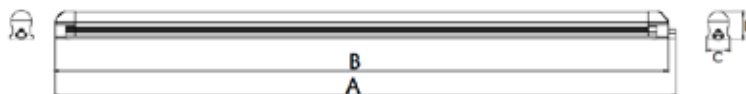


Metro LED's LED Integrated Fixtures perform efficiently in conditions where low voltage, halogen, or fluorescent luminaires have traditionally been used. Our LED tubes incorporate integral drivers, are self-supporting, and can be surface mounted. Individual units can be plugged together for continuous lengths up to 32'. Our fixtures connect directly to line voltage and can be used in any interior space.

FEATURES

- Luminous Flux: >120Lm/w
- +Suitable for damp location
- Suitable to use in UL approved enclosed fixtures

Input voltage:	AC100-277V	THD:	<20%
Operating frequency:	50/60Hz	IP Rating:	IP20
Power factor:	≥ 0.90	CRI:	>80Ra
Ambient temperature range:	-4°F to 104°F	Beam angle:	120°



Maximum Overall	A	B	C	D
8'	94.80"	94.41"	1.22"	1.46"

SPECIFICATIONS

Model Number	Length	Wattage	CRI	Lumens	CCT	Lens	Input Voltage
ML-FIX-8FT-60ET-S-65K	8'	60W	>80	7200Lm	65000K	Stripe	100-277V



LED LINEAR STRIP



OPTIONAL ACCESSORIES



Emergency Driver:
ML-EDL-20W-54V



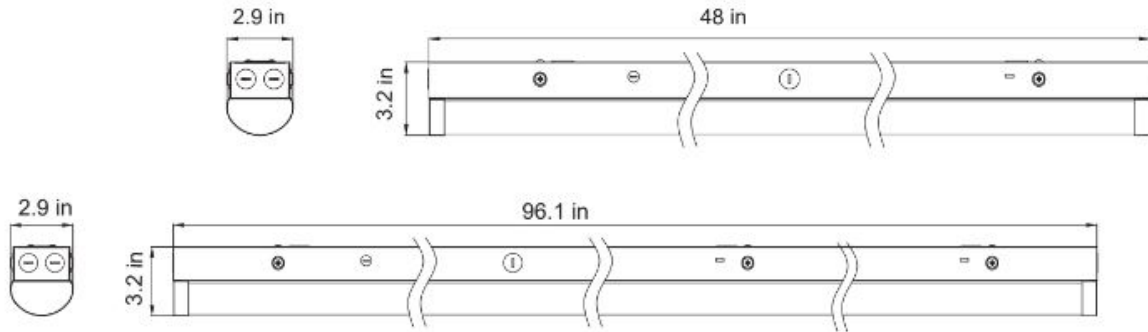
Motion Sensor:
ML-S0147

FEATURES

- Surface or chain mounting for different applications
- Standard 0-10V dimming available
- Projected life span of 50,000 hours
- Operating temperature is -40°F to 104°F

APPLICATIONS

- Commercial
- Retail
- Gymnasiums
- Factories
- Warehouses



SPECIFICATIONS

Model Number	Length	Wattage	CCT	Lumens	Dimmable	Input Voltage
ML-LA02-40W4FTBTA 1-WH30/35/40/50	4'	Selectable 20W/30W/40W	Selectable 3K/35K/4K/5K	130lm/W	0-10V	120-277V
ML-LA02-70W8FTBTA 1-WH30/35/40/50	8'	Selectable 50W/60W/70W				



LED VAPOR TIGHT FIXTURE

CCT & Wattage Selectable



OPTIONAL ACCESSORIES



Emergency Driver:
ML-EDL-20W-54V

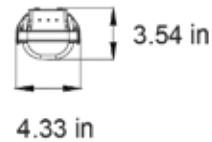
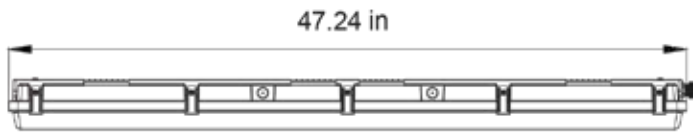
FEATURES

- Energy-efficiency
- Long lifespan
- Low Bay LED Vapor Tight light housing major material is stainless steel, plastic, PC diffuser, it helps for cooling, reducing weight & uniformity lighting distribution
- 80% more energy-efficiency compared to fluorescent lamp
- Grace shape & creative inspiration in its design
- IP65 waterproof

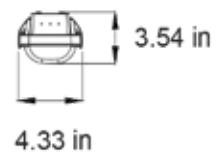
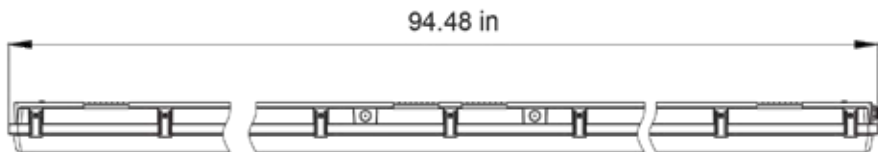
APPLICATIONS

- Factories
- Offices
- Workshops
- Warehouses
- Restaurants
- Logistics centers
- Exhibition halls
- Gymnasiums
- Supermarkets
- Anywhere indoor or outdoor illumination is needed

50W



80W



SPECIFICATIONS

Model Number	Length	Wattage	CCT	Lumens	Dimmable	Input Voltage
ML-TR04-50W4FTBRA1-GRD	4'	Selectable 30W/40W/50W	Selectable 3K/35K/4K/45K/5K	144Lm/W	0-10V	120-277V
ML-TR04-80W8FTBRA1-GRD	8'	Selectable 60W/70W/80W	Selectable 3K/35K/4K/45K/5K			



LED PANEL LIGHT - GEN S

CCT & WATTAGE - SELECTABLE SIDE DRIVER



FEATURES

- Energy-efficient
- Environmentally friendly
- Safe & easy to install
- Switchable design: 5CCT in one
- CRI: >80
- Beam Angle: 120°
- Dimming: 0-10V
- Temperature: -4°F to 113°F
- Lifespan: 50,000 hours

OPTIONAL ACCESSORIES



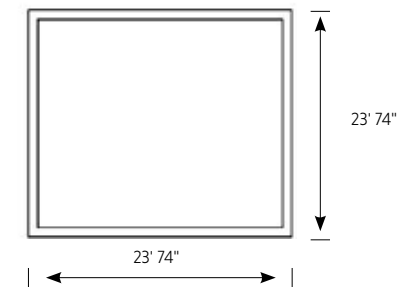
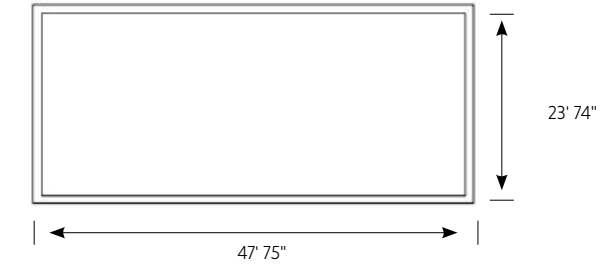
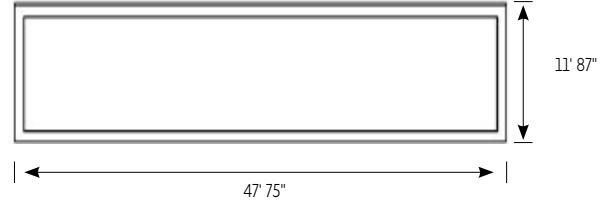
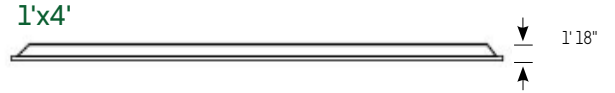
Emergency Driver:
ML-EDL-20W-54V



2x2 Surface Mount Kit:
ML-2x2-Surface-Backlit



2x4 Surface Mount Kit:
ML-2x4-Surface-Backlit



SPECIFICATIONS

Model Number	Length	Wattage	CCT	Lumens	Voltage	Input Voltage
ML-2x2-40-3065S	2'x2'	Selectable 20W-25W-30W-35W-40W	Selectable 3K/35K/4K/5K/65K	120Lm/W	0-10V	120-277V
ML-1x4-40-3065S	1'x4'					
ML-2x4-72-3065S	2'x4'					



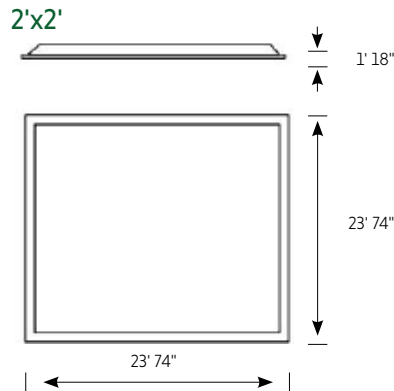
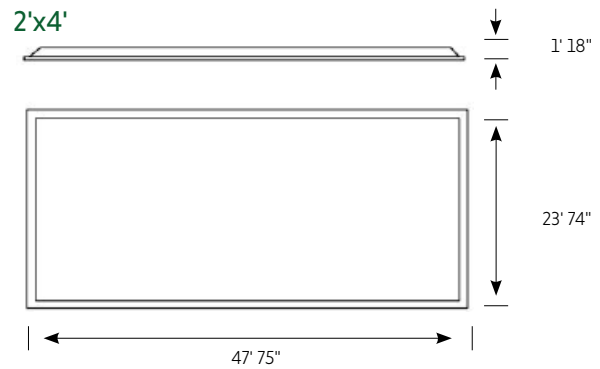
LED PANEL LIGHT - GEN K

CCT & WATTAGE - SELECTABLE LOOSE DRIVER



FEATURES

- Energy-efficient
- Environmentally friendly
- Safe & easy to install
- Switchable design: 5CCT in one
- CRI: >80
- Beam Angle: 120°
- Dimming: 0-10V
- Temperature: -4°F to 113°F
- Lifespan: 50,000 hours



OPTIONAL ACCESSORIES



Emergency Driver:
ML-EDL-20W-54V



2x2 Surface Mount Kit:
ML-2x2-Surface-Backlit



2x4 Surface Mount Kit:
ML-2x4-Surface-Backlit

SPECIFICATIONS

Model Number	Length	Wattage	CCT	Lumens	Dimmable	Input Voltage
ML-2x2-40-3065K	2'x2'	Selectable 20W/25W/30W/35W/40W	Selectable 3K/35K/4K/5K/65K	120Lm/W	0-10V	120-277V
ML-2x4-72-3065K	2'x4'	Selectable 30W/40W/50W/60W/72W				



LED TROFFER PANEL

CCT & WATTAGE SELECTABLE

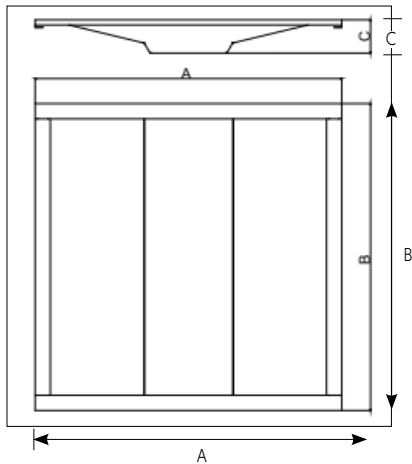


Metro LED's Basket troffers offer uniform illumination and excellent Energy-efficient when you replace with traditional T5, T8, or T12 fluorescent troffers. Our troffers deliver soft, glare-free, ambient lighting in a popular center-basket design. The slim profile and energy- saving LED technology make these an ideal choice for renovation or new construction. Our basket troffers offer multiple CCT options.

FEATURES

- Cloud series led troffer gives >125Lm/W
- 3 power selectable
- Cloud series troffer can work with emergency power pack

Input voltage:	AC100-277V	Dimmable:	3-in-1 dimming
Operating frequency:	50/60Hz	THD:	≥ 10%
Power factor:	≥0.95	IP Rating:	IP40
Ambient temperature range:	-4°F to 113°F	CRI:	>Ra80
		Beam angle:	120°



Maximum Overall	A	B	C
2'x2'	23.74 in	23.74 in	2.76 in
2'x4'	23.74 in	47.76 in	2.76 in

OPTIONAL ACCESSORIES



2x2 Surface Mount Kit: ML-2x2-Surface-Backlit



2x4 Surface Mount Kit: ML-2x4-Surface-Backlit



Emergency Driver: ML-EDL-20W-54V

SPECIFICATIONS

Model Number	Length	Wattage	CRI	Lumens	CCT	Dimmable	Input Voltage
ML-PN2*2-Q01-K40-3050	2'x2'	Selectable 20W/30W/40W	>80	125Lm/W	Selectable 3K/4K/5K	0-10V	100-277V
ML-PN2*4-Q01-K60-3050	2'x4'	Selectable 40W/50W/60W					

LED UFO HIGH BAY



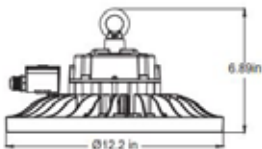
Metro LED's UFO High Bay is designed to maximize light output with superior heat dissipation. Heavy duty durable powder coated aluminum housing with polycarbonate lens cover for years of reliable service. Ideally suited for illuminating large areas. High light transmittance polycarbonate optical lens is fire resistant and anti-UV.

FEATURES

- No UV or IR in the beam
- Easy to install & operate
- Energy-efficiency
- Long lifespan
- Instant start
- No flickering or humming
- Eco-friendly

APPLICATIONS

- Warehouses
- Factories
- Workshops
- Highway toll stations
- Gas stations
- Exhibition halls
- Gymnasiums
- Retail



OPTIONAL ACCESSORIES



Surface Mount Bracket:
100W-150W-UFOBracket

SPECIFICATIONS

Model Number	Wattage	Lumens	CCT	Housing	Input Voltage
ML-HB11-100WRXYD1	100W	14,000Lm	5000K	Black	100-277V



LED UFO HIGH BAY

CCT & WATTAGE SELECTABLE



Metro LED's UFO CCT High Bay is designed to maximize light output with superior heat dissipation. Heavy duty durable powder coated aluminum housing with polycarbonate lens cover for years of reliable service. Ideally suited for illuminating large areas. High light transmittance polycarbonate optical lens is fire resistant and anti-UV.

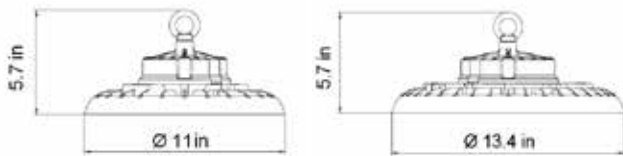
FEATURES

- Universal 120-277V input voltage
- No UV or IR in the beam
- Easy to install & operate
- Energy-efficiency & Eco-friendly
- Long lifespan
- Instant start
- No flickering or humming

APPLICATIONS

- Warehouses
- Factories
- Workshops
- Highway toll stations
- Gas stations
- Exhibition halls
- Retail

OPTIONAL ACCESSORIES



SPECIFICATIONS

Model Number	Wattage	CCT	Lumens	Housing	Voltage	CRI
ML-HB18B-150WL1B1T2A1-BH35/40/50KWD	Selectable 100W/120W/150W	Selectable 35K/4K/5K	140Lm/W	Black	120-277V	>80
ML-HB18B-150WL1B1T2A1-WH35/40/50KWD-W	Selectable 100W/120W/150W	Selectable 35K/4K/5K	140Lm/W	White	120-277V	>80
ML-HB18B-240WL1B1T2A1-BH35/40/50KWD	Selectable 200W/220W/240W	Selectable 35K/4K/5K	140Lm/W	Black	120-277V	>80
ML-HB18B-240WL1B1T2A1-WH35/40/50KWD -W	Selectable 200W/220W/240W	Selectable 35K/4K/5K	140Lm/W	White	120-277V	>80
ML-HB23-300WF1BT2A1-BH35/40/50WD	Selectable 200W/240W/300W	Selectable 35K/4K/5K	149Lm/W	Black	120-277V	>80
ML-HB23-150WF1BT2H1-BH35/40/50WD	Selectable 100W/120W/150W	Selectable 35K/4K/5K	153Lm/W	Black	277-480V	>80
ML-HB23-240WF1BT2H1-BH35/40/50WD	Selectable 200W/220W/240W	Selectable 35K/4K/5K	153Lm/W	Black	277-480V	>80

LED LINEAR HIGH BAY



Metro LED's Linear High Bay is engineered for premium performance. Precision-form enhanced with a white reflector, it is designed to achieve maximum light output for ceilings, up to 40'. It replaces fluorescent and traditional HID high bays while using up to 50% less energy. Surface, pendant, chain, or stem mounting systems are available. It's ideally suited for warehouses, manufacturing plants, sports facilities and retail spaces.

FEATURES

- No UV or IR in the beam
- Easy to install & operate
- Energy-efficiency
- Long lifespan
- Light is soft & uniform
- Safe on eyes
- Instant start
- No flickering or humming
- Green & eco-friendly without mercury
- Output constant current lever can be adjusted through output cable with 1-10V
- The product cannot be connected to a dimming device when it's equipped with motion sensor

APPLICATIONS

- Warehouses
- Factories
- Workshops
- Exhibition hall
- Supermarkets

OPTIONAL ACCESSORIES



Emergency Driver:
ML-EDL-20W-54V



Motion Sensor:
ML-S0147

SPECIFICATIONS

Model Number	Wattage	Lumens	CCT	Dimmable	Input Voltage
ML-PHB05-110WBFP3C1-WH50	110W	15,510Lm	5000K	1-10V	100-277V



LED LINEAR HIGH BAY

WATTAGE SELECTABLE



Metro LED's Linear High Bay is engineered for premium performance. Precision-form enhanced with a white reflector, it is designed to achieve maximum light output for ceilings, up to 40'. It replaces fluorescent and traditional HID high bays while using up to 50% less energy. Surface, pendant, chain, or stem mounting systems are available. It's ideally suited for warehouses, manufacturing plants, sports facilities and retail spaces.

FEATURES

- No UV or IR in the beam
- Easy to install & operate
- Energy-efficiency
- Long lifespan
- Light is soft & uniform
- Safe on eyes
- Instant start
- No flickering or humming
- Green & eco-friendly without mercury
- Output constant current lever can be adjusted through output cable with 1-10V
- The product cannot be connected to a dimming device when it's equipped with motion sensor

OPTIONAL ACCESSORIES



Remote:
ML-G11-HB-R-MS



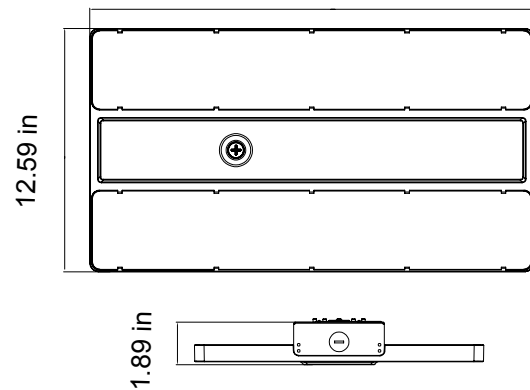
Emergency Driver:
ML-EDL-20W-54V



Motion Sensor:
ML-MS-015

PHB10-220W

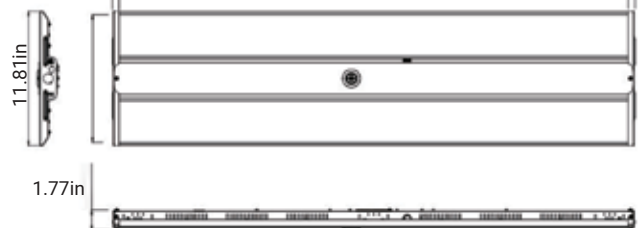
23.03 in



PHB08G-320W

46.06in

44.86in



SPECIFICATIONS

Model Number	Length	Wattage	CCT	Lumens	CRI	Dimmable	Input Voltage
ML-PHB10-220WBML1A2-WH40/50WD	2'	Selectable 110W/165W/220W	Selectable 4K/5K	140Lm/W	>80	0-10V	120-277V
ML-PHB08G-320WBMP1A1-WHW50K	4'	Selectable 260W/290W/320W	5K				

NOTES

NOTES

OUTDOOR LIGHTING

LED PARKING GARAGE CANOPY

CCT & WATTAGE SELECTABLE



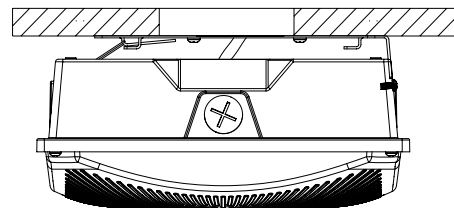
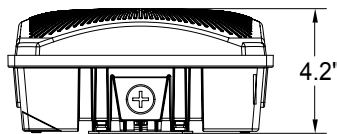
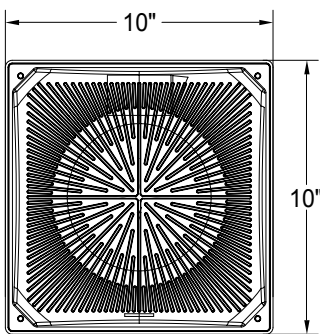
Metro LED's LED Canopy fixture is the most economical fixture of its kind. At Metro LED, we know every parking garage application is unique. Our approach is to apply a total space evaluation to understand what you want to accomplish so we can design a lighting solution for the total parking garage space. Our LED Canopy fixtures offer high-performance, energy-efficiency, and the best technology to deliver parking garage lighting for optimum "seal-ability", safety and security.

FEATURES

- PG06 Series Light engines are available in standard 3000K/4000K/5000K CCT selectable & 25W/40W/60W Wattage selectable
- 160 degree beam angle
- 0-10V dimming
- Surface mount or pipe mount
- Energy-efficiency
- Long lifespan

APPLICATIONS

- Service stations
- Underground parking lot
- Warehouses
- Factories



SPECIFICATIONS

Model Number	Wattage	Lumens	CCT Selectable	IP	Dimmable	Input Voltage
ML-PG06-60WJSP1DA1-BRW30/40/50	Selectable 60W/40W/25W	135 Lm/W	3K/4K/5K	IP65	0-10V	120-277V



LED SQUARE CANOPY



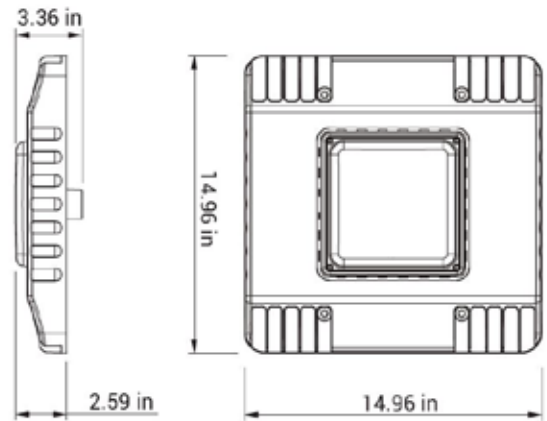
Metro LED's Square Canopy offers exceptional performance, efficiency and a unique design. Features such as high lumens per watt, outstanding proficiency, and field serviceability, make it an ideal commercial canopy solution. The contractor-friendly canopy luminaire includes fasteners and a locking collar, making installation easy, secure and water-tight. It can be surface mounted easily from below the canopy deck and also has the ability to be pendant mounted.

FEATURES

- PHILIPS chip
- High CRI
- No UV or IR in the beam
- Easy to install & operate
- Energy-efficiency
- Long lifespan
- Light is soft & uniform
- Safe on eyes
- Instant start
- No flickering or humming
- Eco-friendly

APPLICATIONS

- Gas stations



SPECIFICATIONS

Model Number	Wattage	Lumens	CCT	IP	Input Voltage
ML-CP03B-150W	150W	18,750Lm	5700K	IP65	100-277V

LED BIG LENS CANOPY



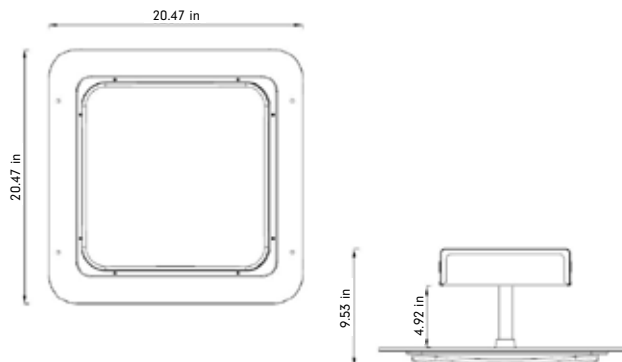
Metro LED's Big Lens Canopy offers exceptional performance, efficiency and a unique design. Features such as high lumens per watt, outstanding proficiency, and field serviceability, make it an ideal commercial canopy solution. The contractor-friendly canopy luminaire includes fasteners and a locking collar, making installation easy, secure and water-tight. It can be surface mounted easily from below the canopy deck and also has the ability to be pendant mounted.

FEATURES

- High CRI
- No UV or IR in the beam
- Easy to install & operate
- Energy-efficiency
- Long lifespan
- Light is soft & uniform
- Safe on eyes
- Instant start
- No flickering or humming
- Eco-friendly

APPLICATIONS

- Gas stations
- Toll stations



SPECIFICATIONS

Model Number	Wattage	Lumens	CCT	IP	Input Voltage
ML-CP-150W-3321-1602	150W	21,000Lm	5700K	IP65	100-277Vac



LED FLOOD LIGHT

15W • 30W • 50W



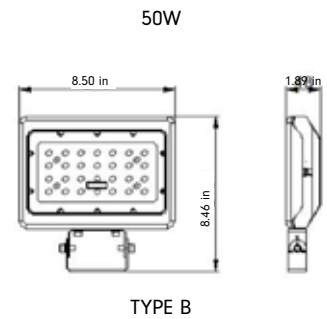
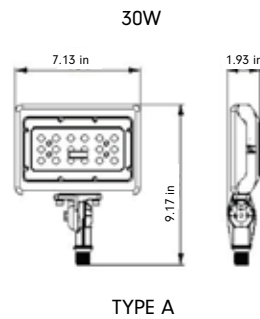
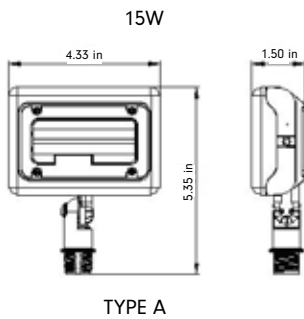
Metro LED's Flood lights are the best solutions to replace HID lamps. Superior performance and robust design make this product suitable for any general purpose floodlighting application such as landscape, signage, and accent lighting in heavy commercial and residential applications.

FEATURES

- No UV or IR in the beam
- Easy to install & operate
- Energy-efficiency
- Long lifespan
- Instant start
- No flickering or humming
- Eco-friendly

APPLICATIONS

- Factories
- Libraries
- Parks
- Supermarkets
- Railway stations



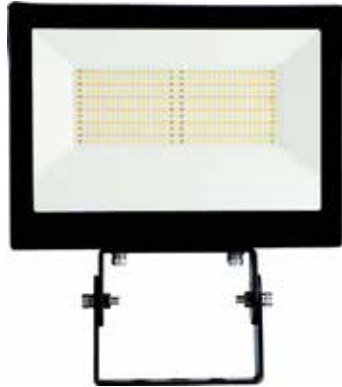
SPECIFICATIONS

Model Number	Wattage	Lumens	CCT	Input Voltage	Bracket
ML-FL06-15WCT1A1-5K	15W	1695Lm	5000K	100-277V	Knuckle
ML-FL06-30WCT1A1-5K	30W	3480Lm			
ML-FL06-50WCT1A1-5K	50W	5900Lm			
ML-FL06-50WCT1B1-5K					Yoke



LED FLOOD LIGHT 19TH GEN

CCT & Wattage Selectable



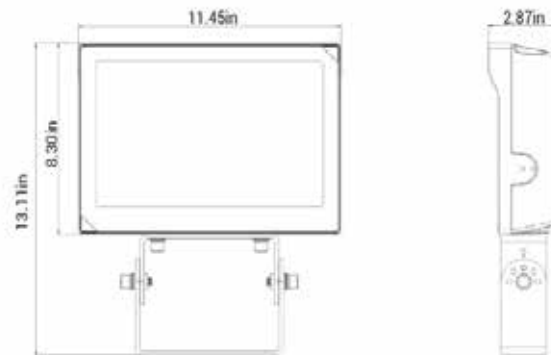
Metro LED's Flood lights are the best solutions to replace HID lamps. Superior performance and robust design make this product suitable for any general purpose floodlighting application such as landscape, signage, and accent lighting in heavy commercial and residential applications.

FEATURES

- No UV or IR in the beam
- Easy to install and operate
- Energy-efficiency
- Long lifespan
- Light is soft & uniform
- Safe on eyes
- Instant start
- No flickering or humming
- Eco-friendly

APPLICATIONS

- Factories
- Libraries
- Squares
- Parks
- Supermarkets
- Railway stations
- Advertising lighting



SPECIFICATIONS

Model Number	Wattage	CCT	Lumens	CRI	Dimmable	Input Voltage	Bracket
ML-FL19-150WBH8DA1-BHYMW30/40/50	Selectable 100W/120W/150W	Selectable 3K/4K/5K	140Lm/W	>80	0-10V	120-277V	Yoke



LED FLOOD LIGHT 6TH GEN

300W



TYPE FM

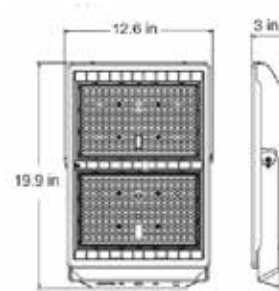
Metro LED's Flood lights are the best solutions to replace HID lamps. Superior performance and robust design make this product suitable for any general purpose floodlighting application such as landscape, signage, and accent lighting in heavy commercial and residential applications.

FEATURES

- LUMILEDS Chip, high CRI
- No UV or IR in the beam
- Easy to install & operate
- Energy-efficiency
- Long lifespan
- Light is soft & uniform
- Safe on eyes
- Instant start
- No flickering or humming
- Eco-friendly

APPLICATIONS

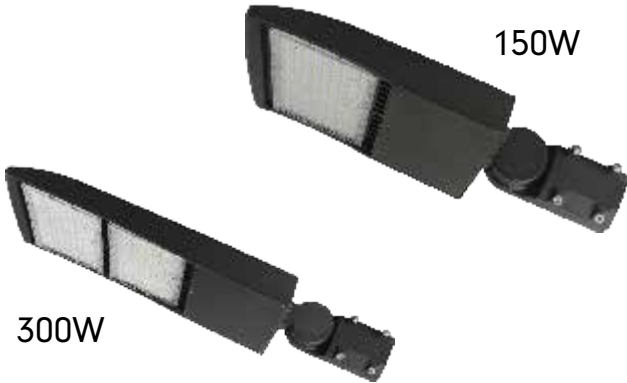
- Factories
- Libraries
- Squares
- Parks
- Supermarkets
- Railway stations
- Advertising lighting



SPECIFICATIONS

Model Number	Wattage	Lumens	CCT	Input Voltage	Bracket
ML-FL06C-300WCH8A1-BKFM50	300W	43,500Lm	5000K	100-277V	U-Bracket

LED GEN 14TH SHOEBOX LIGHT



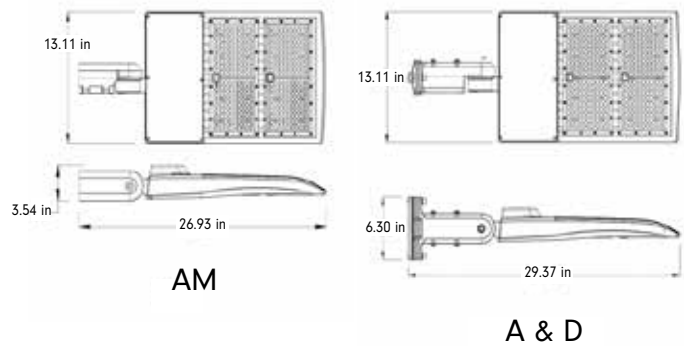
Metro LED's shoebox (street) lights are the newest, advanced and most feature rich product of its kind. They offer high lumens per watt for maximum power savings and rebates from power companies.

FEATURES

- Seoul Chip
- High CRI
- IP65 driver
- Output constant current lever can be adjusted through output cable with 1-10V
- No UV or IR in the beam
- Easy to install & operate
- Energy-efficiency
- Long lifespan
- Light is soft & uniform
- Safe on eyes
- Instant start
- No flickering or humming
- Eco-friendly

APPLICATIONS

- Outdoor sports courts & fields
- School playgrounds
- Stadiums
- Plazas
- Street lamps



OPTIONAL ACCESSORIES



SPECIFICATIONS

Model Number	Bracket Included	Wattage	Lumens	CCT	Input Voltage	Housing
ML-S-G14-150WXYA1-48V	Slip Fitter	150W	19,600Lm	5000K	277-480V	Black
ML-S-G14-300WXYA1-48V		300W	42,261Lm			



LED GEN 19TH SHOEBOX LIGHT



Metro LED's shoebox (street) lights are the newest, advanced and most feature rich product of its kind. They offer high lumens per watt for maximum power savings and rebates from power companies.

FEATURES

- Seoul Chip
- High CRI
- IP65 driver
- Output constant current lever can be adjusted through output cable with 1-10V
- No UV or IR in the beam
- Easy to install & operate
- Energy-efficiency
- Long lifespan
- Light is soft & uniform
- Safe on eyes
- Instant start
- No flickering or humming
- Eco-friendly

APPLICATIONS

- Outdoor sports courts & fields
- School playgrounds
- Street lamps

OPTIONAL ACCESSORIES

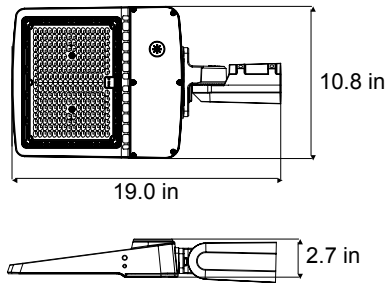


PHOTOCELL
ML-PC-100-277V



AandD
ML-ADM

SB19 150W



SPECIFICATIONS

Model Number	Bracket Included	Wattage	Lumens	CCT	Input Voltage	Housing
MLS-G19-150WBT3A1-BR3NP10SPAM50	Slip Fitter	150W	20,250lm	5000K	100-277V	Dark Bronze

LED GEN 18TH SHOEBOX LIGHT

CCT & Wattage Selectable



Metro LED's shoebox (street) lights are the newest, advanced and most feature rich product of its kind. They offer high lumens per watt for maximum power savings and rebates from power companies.

FEATURES

- SB18 series light engines are available in 3 CCTs & 3 Wattage selectable
- Optional for Photocell & Motion sensor
- Standard with 10KV surge protector & Shorting cap
- Rated for ambient operating temperature -40°F to 122°F

APPLICATIONS

- Outdoor sports courts & fields
- School playgrounds
- Stadiums
- Plazas
- Street lamps

OPTIONAL ACCESSORIES



A&D Bracket



YM Bracket



FM Bracket



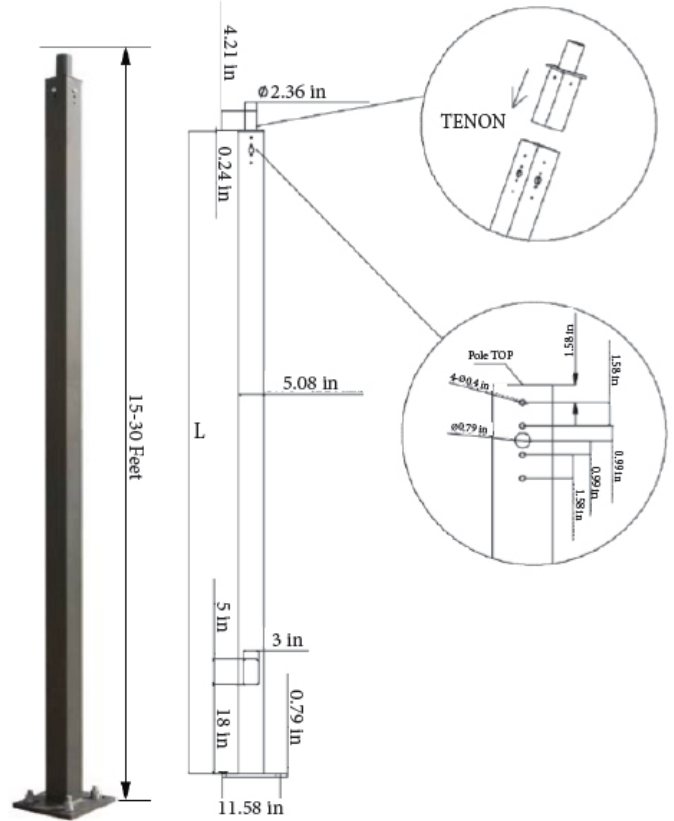
Photocell

SPECIFICATIONS

Model Number	Wattage	CCT	Voltage	CRI	Lumens	Efficiency
ML-S-G18-80WBT3DA2-BR3NP-10SPAM30/40/50W	Selectable 40W/60W/80W	Selectable 3K/4K/5K	120-277V	>80	10,800Lm	135Lm/W
ML-S-G18-150WBT3DA2-BR3NP-10SPAM30/40/50W	Selectable 100W/120W/150W				20,250Lm	
ML-S-G18-300WBT3DA2-BR3NP-10SPAM30/40/50W	Selectable 200W/240W/300W				42,000Lm	140Lm/W
ML-S-G18-300WBT3DA2-BR3NP-10SPYM30/40/50W						
ML-S-G18-300WBT3DA2-BR3NP-10SPFM30/40/50W						



LIGHT POLE



The Metro Series Straight Square Steel poles are built from high strength steel tube and are available side drilled for arm mounted area lighting luminaries or with tenon mounts for flood and post top luminaries. Typical area lighting applications include retail centers, industrial parks, schools and universities, public transit and airports, office buildings and medical facilities. Mounting heights of 10 to 30 feet can be used based on selected luminary application.

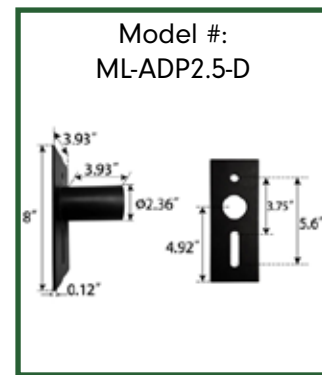
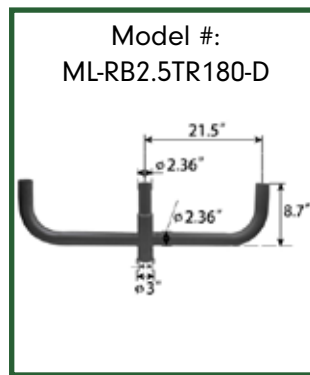
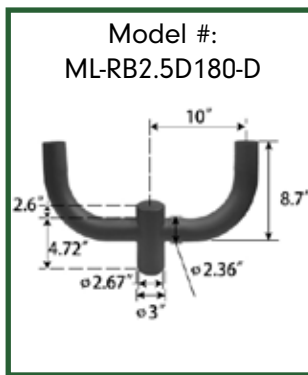
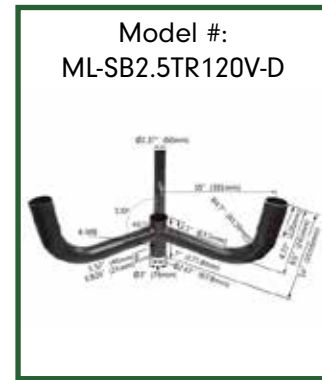
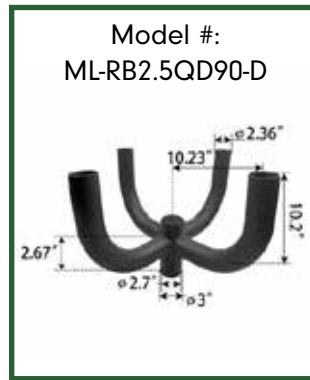
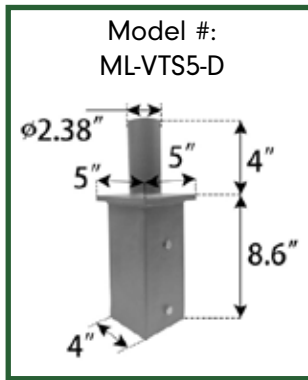
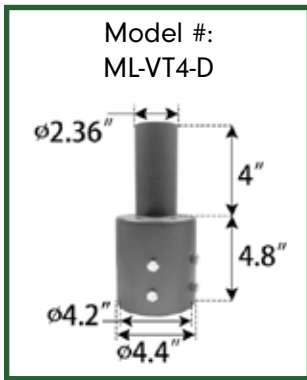
FEATURES

- Conforms to ASTM-A 500 Grade B: Minimum Yield Strength of 46,000 PSI
- Finish: Textured Architectural Bronze Powdercoat Finish, Baked to Ensure Maximum Paint Adhesion, Hardness & Durability
- Anchor Bolts: Anchor Bolts are Included, Sized Based on Pole Data Charts for the Selected Pole Size
- Hand Hole: Cast Iron Reinforced Hand Hole and Cover with Ground Screw
- Base Cover: Poles are Provided With a Two-Piece Formed Steel Base Cover that is Easily Assembled & Fitted Over Pole Base
- Pole Length: Poles are Available in Standard Lengths as Shown in the Order Matrix. Poles can be Custom Cut to Order - Consult Factory

SPECIFICATIONS

Model Number	Height	Wall Thickness	Shaft Size	Base Size	Bolt Circle	Bolt Projection	Bolt Size	Pole Weight	EPA 70	EPA 80	EPA 9w0	EPA 100	EPA 110	EPA 120
ML-15FT4-11G-D-T	15'	11 Gauge	4x4"	11"	8-11"	2.75"	3/4x17x3"	117 Lbs	15.2	12.5	10.1	8.5	6.9	5.4
ML-20FT4-11G-D-T	20'							152 Lbs	9.2	7.3	6	4.2	3	1.6
ML-25FT4-11G-D-T	25'		190 Lbs		8.9	6.9	5.7	4.1	3.6	2.2				
ML-30FT5-11G-D-T	30'		5x5"		10-12"	3.375"	3/4x17x4"	267 Lbs	7.2	5.4	4.1	3.8	2.8	1.2

POLE ACCESSORIES



Name	Model Number	Finish	Max EPA	Use
4" Round Pole Mount with 2-3/8" O.D. Tenon	ML-VT4-D	Dark Bronze	0.3	For use with Round, non-tapered steel and aluminum poles. Furnished with three 3/8" hex head stainless-steel bolts. Vertical tenon measures 2-3/8" O.D., and is made of steel tubing. Fixtures mounted to this bracket can be adjusted both vertically and horizontally.
5" Square Pole Mount with 2-3/8" O.D. Tenon	ML-VTS5-D			For use with square, non-tapered steel and aluminum poles. Furnished with four 5/16" hex head stainless-steel bolts. Vertical tenon measures 2-3/8" O.D., and is made of steel tubing. Fixtures mounted to this bracket can be adjusted both vertically and horizontally.
Quad 90° Horizontal Tenon Adapter	ML-RB2.5QD90-D		1.5	The Bracket is designed to mount over 2-3/8" (60mm) O.D. vertical tenon. Four fixtures can be mounted to the Round External Mount Horizontal Tenon and adjusted horizontally.
Triple 120° Horizontal Tenon Adapter	ML-SB2.5TR120V-D		0.7	The Bracket is designed to mount over 2-3/8" (60mm) O.D. vertical tenon. Three fixtures can be mounted to the Round External Mount Horizontal Tenon and adjusted horizontally.
	ML-SB2.5TR120-D			The Bracket is designed to mount over 2-3/8" (60mm) O.D. vertical tenon. Three fixtures can be mounted to the Round External Mount Horizontal Tenon and adjusted horizontally.
Double 180° Horizontal Tenon Adapter	ML-RB2.5D180-D		0.9	The Bracket is designed to mount over 2-3/8" (60mm) O.D. vertical tenon. Two fixtures can be mounted to the Round External Mount Horizontal Tenon and adjusted horizontally.
Triple 180° Horizontal Tenon Adapter	ML-RB2.5TR180-D		1.4	The Bracket is designed to mount over 2-3/8" (60mm) O.D. vertical tenon. Three fixtures can be mounted to the Round External Mount Horizontal Tenon and adjusted horizontally.
2-3/8" OD Horizontal Tenon Mid-Pole Bracket	ML-ADP2.5-D		0.3	Designed to mount light fixture that is equipped with a adjustable slip-fitter onto a 2-3/8" OD horizontal tenon.



LED CCT WALL PACK

CCT Selectable



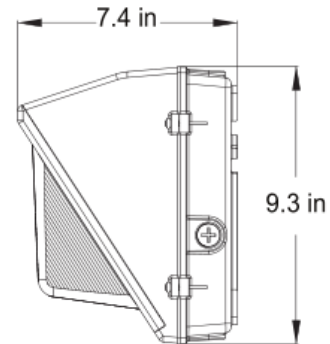
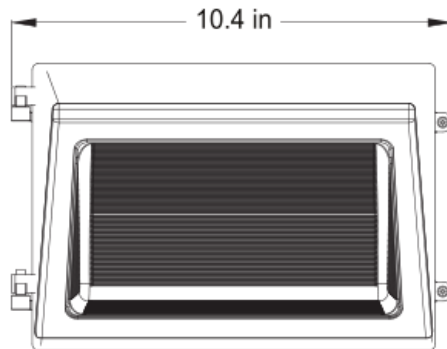
Metro LED's CCT wall pack offers a popular, classic appearance with Energy-efficient LED technology. Our Wall Pack comes with a die cast aluminum housing and a polycarbonate lens, standing up to many years of punishing environmental conditions. The IP65 waterproof, sealed, and gasketed wireway enclosure provides a watertight seal.

FEATURES

- UL cUL DLC certificate
- IP65 Internal driver
- No UV or IR in the beam
- Easy to install & operate
- Energy-efficiency
- Long lifespan
- Light is soft & uniform
- Safe on eyes
- Instant start
- No flickering or humming
- Green & eco-friendly without mercury

APPLICATIONS

- Entrance lighting
- Courtyard lighting
- Industrial lighting
- Landscape lighting



SPECIFICATIONS

Model Number	Wattage	Lumens	CCT	Input Voltage	Photocell
ML-SWP05M-40HBSPDA1-BR30/40/50	40W	5720Lm/W	Selectable 3K/4K/5K	100-277V	Included with Option to Connect

LED WALL PACK

CCT & Wattage Selectable



Metro LED's CCT wall pack offers a popular, classic appearance with Energy-efficient LED technology. Our Wall Pack comes with a die cast aluminum housing and a polycarbonate lens, standing up to many years of punishing environmental conditions. The IP65 waterproof, sealed, and gasketed wireway enclosure provides a watertight seal.

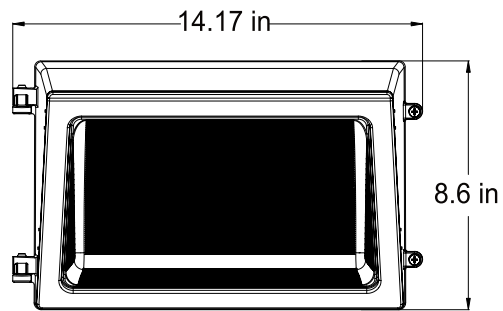
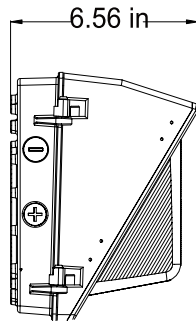
FEATURES

- IP65 Internal driver
- No UV or IR in the beam
- Easy to install & operate
- Energy-efficiency
- Long lifespan
- Light is soft & uniform,
- Safe on eyes
- Instant start
- No flickering or humming
- Green & eco-friendly without mercury

APPLICATIONS

- Entrance lighting
- Courtyard lighting
- Industrial lighting
- Landscape lighting

80W/120W



SPECIFICATIONS

Model Number	Wattage	CCT	Lumens	Input Voltage	Photocell
ML-SWP11M-80W	Selectable 40W/60W/80W	Selectable 3K/4K/5K	11,400Lm	100-277V	Included with Option to Connect
ML-SWP11M-120W	Selectable 80W/100W/120W		16,800Lm		



LED ROTATABLE WALL PACK



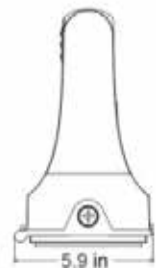
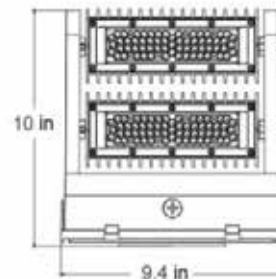
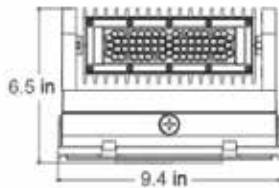
Metro LED's rotatable wall pack is the newest and most revolutionary product of its kind, & offers a rotatable classic appearance with energy-efficient LED technology. With our luminaries you can angle the light exactly where you need it! You no longer have to guess at which light to buy, you can easily rotate the light to push it all away from the building, all down or find that perfect balance! Our luminaries come with a die cast aluminum housing and a polycarbonate lens, standing up to many years of punishing environmental conditions.

FEATURES

- IP65 Internal driver
- No UV or IR in the beam
- Easy to install & operate
- Energy saving
- Long lifespan
- Light is soft & uniform
- Safe on eyes
- Instant start
- No flickering or humming
- Green & eco-friendly without mercury

APPLICATIONS

- Entrance
- Courtyard
- Industrial
- Outdoor landscape



SPECIFICATIONS

Model Number	Wattage	CCT	Voltage	CRI	Lumens
ML-RWP01B-40WH1CYT1SA1-BR50	40W	5000K	120-277V	>80	140lm/W
ML-RWP01B-80WW1CYT1SA2-BR50	80W				

LED MINI WALL PACK

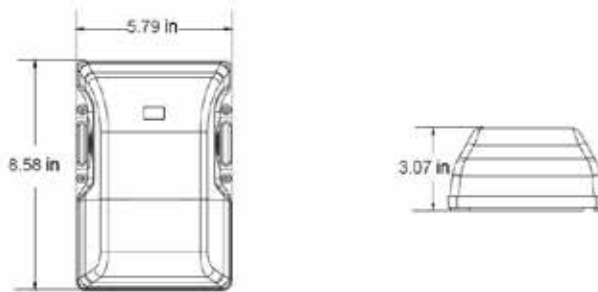
CCT Selectable



Metro LED's 20W Mini LED Wall Pack can replace 75W of HID or HPS lamp, thus using fewer watts to generate the same or more amount of light. By thus reducing the electricity consumption, you bring significant energy-savings. The 20W wall pack can deliver 2700 lumens. With an IP65 rating, and the product is designed to stay dust and moisture resistant. The Mini Wall Pack is also Eco-friendly to save the environment from harmful effects of toxic substances like mercury or lead.

FEATURES

- MWP03C series Light engines are CCT Selectable, 3K/4K/5K all in one
- Impact & UV-resistant polycarbonate lens is precisely designed to give a specific light distribution, maximizing efficiency and application spacing
- THD: $\leq 20\%$
- Power Factor: ≥ 0.9
- Photocell included
- Wall mount
- Easy installation with integrated level bubble & hinged door



SPECIFICATIONS

Model Number	Wattage	Lumens	CCT	Input Voltage	Photocell
ML-MWP03C-20D4BYFDA1-BRP30/40/50	20W	2700Lm	Selectable 3K/4K/5K	120-277V	Included



LED HALF CORN BULB



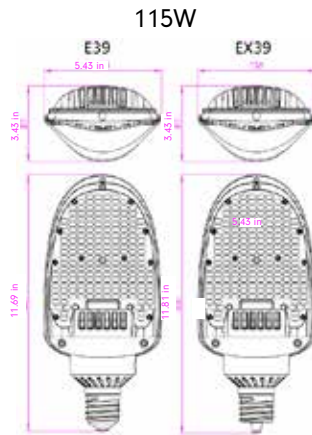
Flat Head LED Half Corn Bulbs are designed to reduce the power consumed, in fixtures traditionally used with metal halide or high-pressure sodium lamps, while still producing a high Lumen output. This retrofit has a noiseless fan, and it's the smallest, and shortest of its kind to fit such a wide range of fixtures. Suitable for use in enclosed fixtures, these high output LEDs are an excellent choice for post top lights, shoebox fixtures, and other HID fixtures. The rotatable base allows you to aim the light where you need it. With 180 degree beam angle it saves 20-30% energy compared to a 360 bulb.

FEATURES

- 90*150° TYPE III
- Internal driver
- E39 lamp base
- Lamp base: 270° rotated
- New style & high efficient wide-range input
- Long lifespan & good heat dissipation
- Direct replacement for Metal Halide
- Easy installation
- Fits many different fixtures to replace traditional lamps

APPLICATIONS

- Replacement Lamps for Outdoor Pole Arm-mounted Area
- Roadway Luminaries (Type B).



LED Street Light



LED Shoebox



LED Flood Light



LED Wall Pack

SPECIFICATIONS

Model Number	Base	Wattage	Lumens	CCT	IP	Input Voltage
ML-CLH-115W1A1-E	E39	115W	13,500Lm	5000K	IP51	100-277V

LED CORN BULB

Wattage Selectable

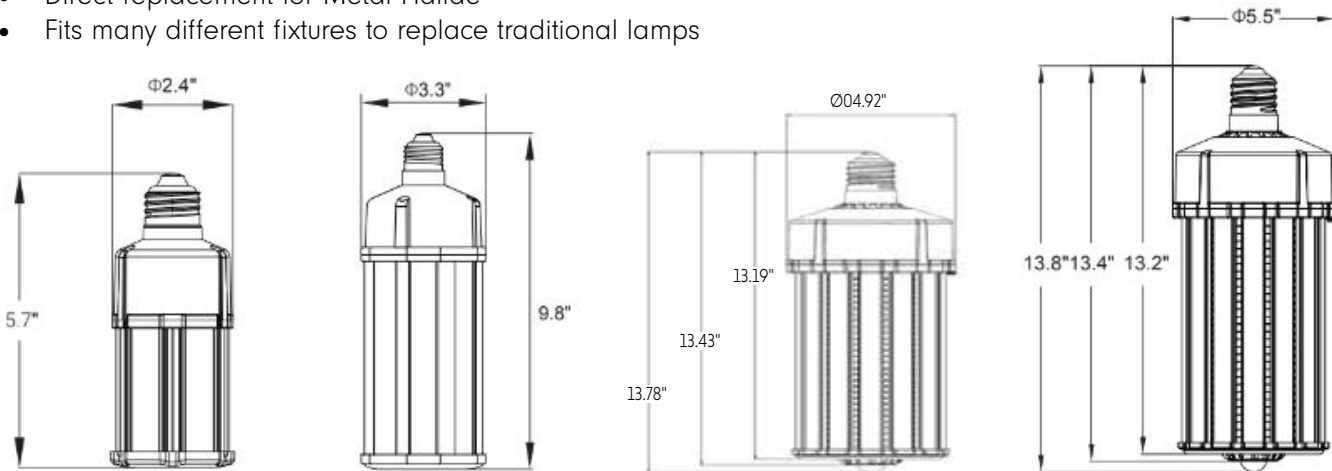


FEATURES

- 360° lighting
- Easy installation
- Big heat sink
- NO fan
- Internal driver
- Meets 4KV surge immunity level
- Long lifespan & good heat dissipation
- Direct replacement for Metal Halide
- Fits many different fixtures to replace traditional lamps

APPLICATIONS

- Retail Stores
- Warehouses
- Office
- Hospitality
- Healthcare

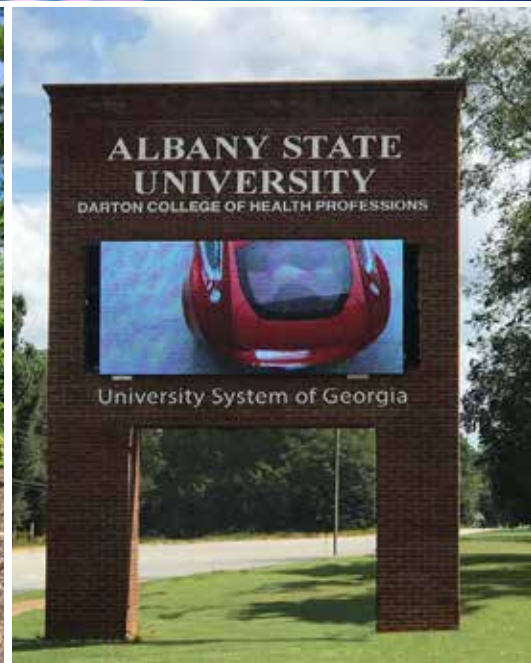


SPECIFICATIONS

Model Number	Base	Wattage	Lumens	CCT	Dimension	Input Voltage
ML-CLW08-018WBCA1-50K	E26	18W	120Lm/W	5000K	Ø2.36x5.71"	100-277V
ML-CLW08E-045WBCA1-ES50K	E39	Selectable 27W/36W/45W	145Lm/W		Ø3.35x9.84"	
ML-CLW08E-150WBCCA1-E50K		Selectable 100W/125W/150W			Ø4.92x13.19"	
ML-CLW08E-240WBCCA1-E50K		Selectable 180W/210W/240W			Ø5.51x13.19"	



OUTDOOR: LED CORN BULB - WATTAGE SELECTABLE



OUTDOOR LED DISPLAYS

SCHOOLS | CHURCHES | BUSINESSES | MUNICIPALITIES



MetroLED is dedicated to providing top-class LED displays with the latest technology & hardware.

Let us help you create a stunning visual experience.

MetroLED
LIGHT • SIGN • SOLAR



MetroLED

LIGHT • SIGN • SOLAR