

Catalog #	
Project:	
Type:	Date:
Notes:	

## LED Vapor Tight Fixture

CCT & Wattage Adjustable



### Key Features

- Energy-Efficient
- Environmentally Friendly
- Safe & Easy to Install

### Optics

- TR04 series light engines are available in 5 CCTs and 3 Wattage selectable configurations
- Frosted cover provides soft light

### Electrical

- Input voltage: 120-277V
- Dimming: 0-10V
- THD:  $\leq 20\%$
- Power Factor:  $\geq 0.9$
- Temperature:  $-40^{\circ}\text{F}$ - $113^{\circ}\text{F}$

### Lifespan

- Estimated 50,000 Hours LED lifespan based on IES LM-80 results and TM-21 calculations

### Listings

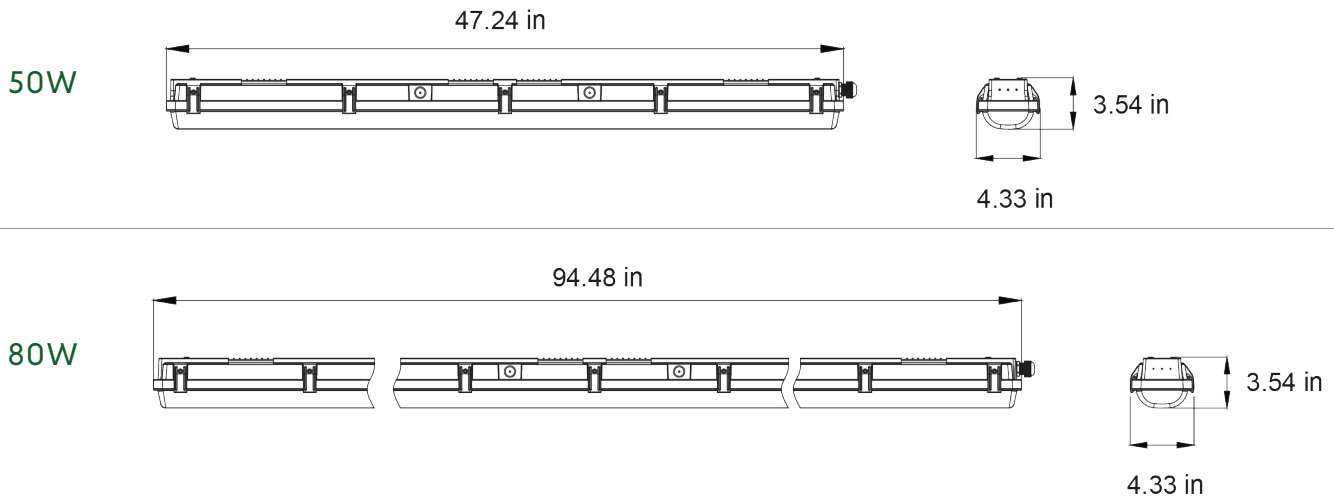
- UL Listed: Damp Locations

### Applications

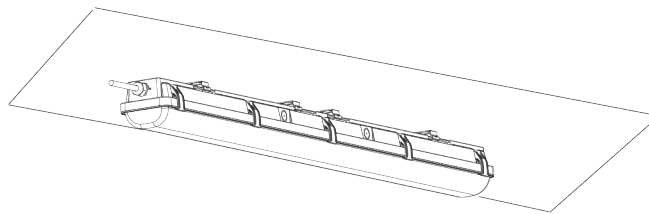
- Offices/Hallways
- Warehouses
- Supermarkets
- Covered Parking Decks

Model #	Watt	Dimensions	Voltage	CRI	5000K		Weight (LBS)
					Lumens	Efficacy	
ML-TR04-50W4FTBRA1-GRD	30W/40W/50W Wattage Selectable	47.24"x4.33"x3.54"	120-277V	>80	7200 Lumens	144Lm/W	5.28
ML-TR04-80W8FTBRA1-GRD	80W/70W/60W Wattage Selectable	94.48"x4.33"x3.54"			11520 Lumens	144Lm/W	11

**DIMENSIONS**

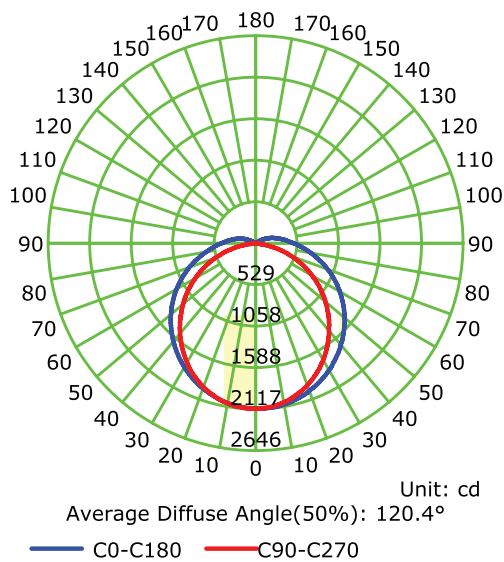


**INSTALLATION DIAGRAM**



**DISTRIBUTION DIAGRAM**

**Luminous Intensity Distribution Curve**



**Illuminance at a Distance**

