

Catalog #:	
Project:	
Type:	Date:
Notes:	

LED Mini Wallpack Light



20W



Key Features

OPTICS:

- MWP03C series Light engines are CCT Selectable, 3000K/4000K/5000K all in one.
- Impact and UV-resistant polycarbonate lens is precisely designed to give a specific light distribution, maximizing efficiency and application spacing.

ELECTRICAL:

- Universal 120-277V input voltage.
- THD: ≤20%, Power Factor: ≥0.9.

CONTROLS:

- photocell connector optional, if need photocell, just open the fixture and connect the connetcor

INSTALLATION:

- Wall Mount
- Easy installation with integrated level bubble and hinged door.

LIFESPAN:

- Estimated 50,000-hour LED lifespan based on IES LM-80 results and TM-21 calculations.

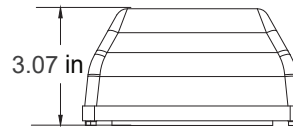
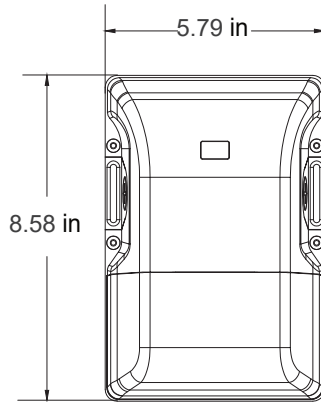
LISTINGS:

- DesignLights Consortium® (DLC) Premium qualified and DLC qualified.
- UL listed for wet locations.
- Rated for ambient operating temperature -40°F to 113°F (-40°C to 45°C).

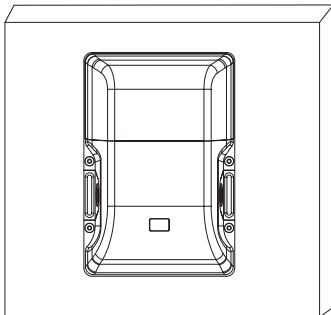
Model No	Power (W)	Voltage	CRI	5000K		Dimension	Weight (lbs)
				Lumens	Efficacy		
ML-MWP03C-20D4BYFDA1-BRP30/40/50	20W	120-277V	>80	2700lm	135lm/w	8.58x5.79x3.07"	2.3

Dimensions

20W



Installation Diagram



Distribution Diagram

