

Catalog #	
Project:	
Type:	Date:
Notes:	

LED Street Light - 18th Generation



Lifespan

- Estimated 50,000 hours LED lifespan based on IES LM-80 results & TM-21 calculations

Optics

- SB 18 Series light engines are available in 3 CCTs & 3 Wattage Selectable
- Type III 155 x 90° beam angle

Electrical

- 0-10V Dimming
- THD: ≤20%
- Power Factor: ≥0.9

Optional Accessories



A&D Bracket YM Bracket



FM Bracket Photocell

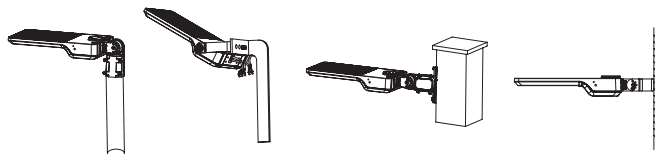
Listings

- Ambient Temperature Range: -40°F - 122°F

Applications

- Outdoor sports courts & fields
- School playgrounds
- Stadiums
- Plazas
- Street lamps

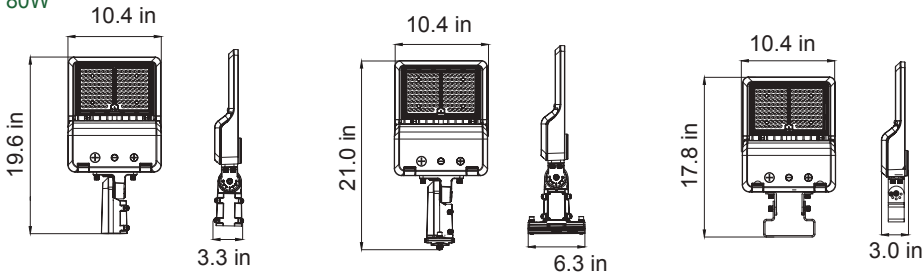
Installation Diagram



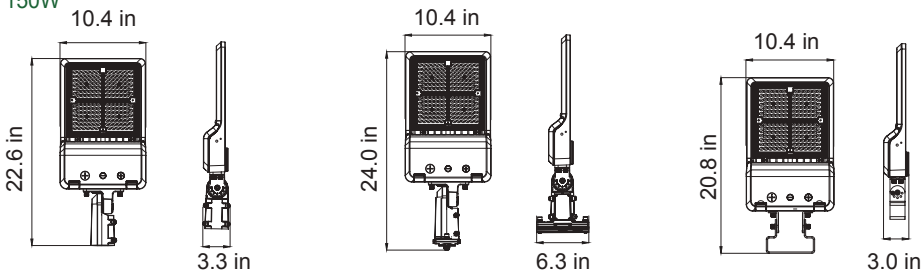
Model Number	Wattage	CCT	Voltage	CRI	Lumens	Efficiency
ML-S-G18-80WXYA1	Selectable 40W/60W/80W	Selectable 3K/4K/5K	120- 277V	>80	10,800Lm	135Lm/W
ML-S-G18-150WXYA1	Selectable 100W/120W/150W				20,250Lm	
ML-S-G18-300WXYA1	Selectable 200W/240W/300W				42,000Lm	140Lm/W

DIMENSIONS

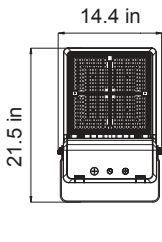
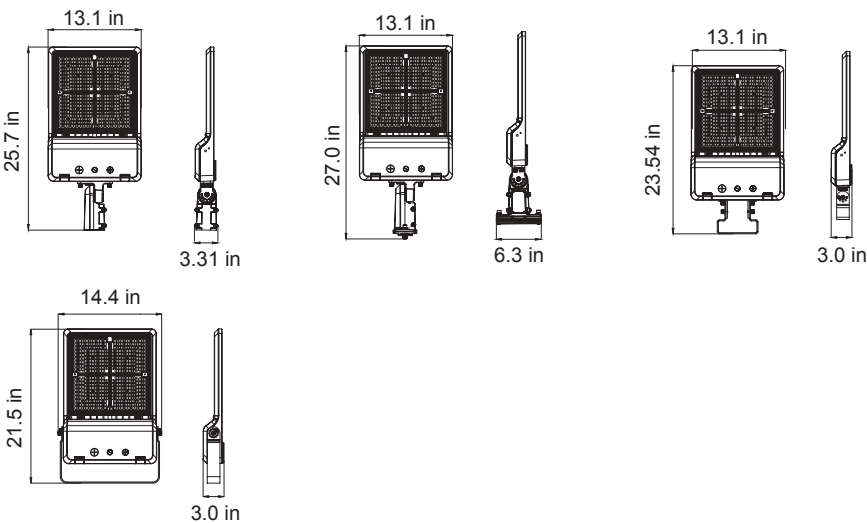
80W



150W

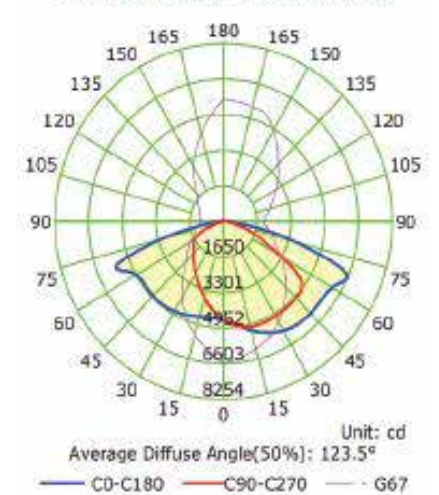


300W



DISTRIBUTION DIAGRAM

Luminous Intensity Distribution Curve



The Average Illuminance Effective Figure

